

Description	Value
-------------	-------

General information:

Product name: MGE132SH
 Product No: 99189999
 EAN number: -
 Price: On request

Technical:

Approvals on motor nameplate: CE, RCM, cURus, EAC, IES2, IE5
 Model: J
 Cooling: IC 411

Installation:

Range of ambient temperature: -20 .. 50 °C
 Flange size for motor: FF-

Electrical data:

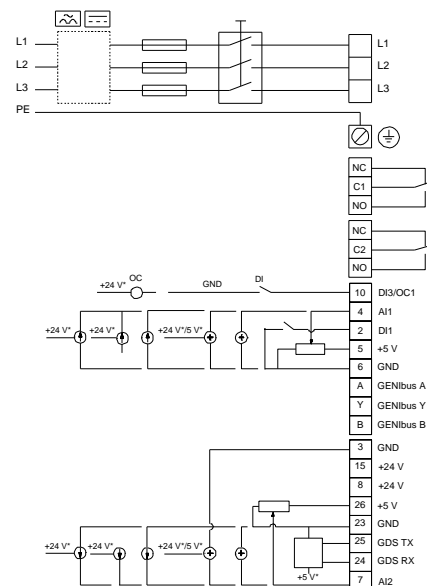
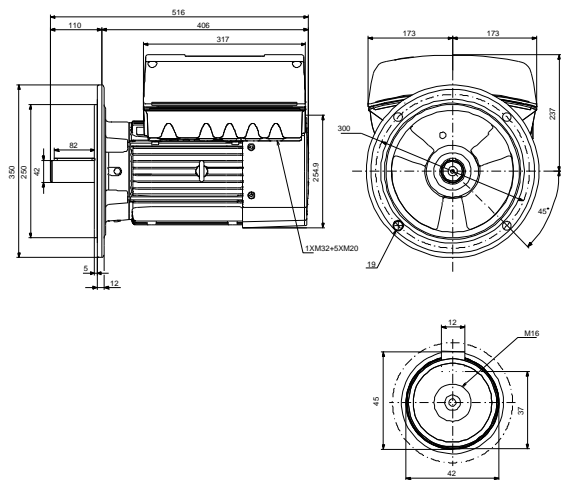
Motor type: 132SH
 IE Efficiency class: IE5
 Rated power - P2: 11 kW
 Mains frequency: 50 Hz
 Rated voltage: 3 x 380-500 V
 Rated current: 20,3-16,0 A
 Cos phi - power factor: 0,93-0,90
 Rated speed: 360-4000 rpm
 Rated full-load torque: 36.2 Nm
 Moment of inertia: 0.0178 kg m²
 Efficiency: 93,1%
 Motor efficiency at full load: 93.1 %
 Enclosure class (IEC 34-5): IP55
 Insulation class (IEC 85): F
 Motor protec: YES
 Thermal protec: ELEC
 Mount. design. acc. IEC 34-7: IM V1/B5
 Lubricant type: UNIREX N3
 Lubricant quan.: 12 g
 Relubrication interval 1: 2660 h / 40 °C
 Relubrication interval 2: 1680 h / 60 °C

Controls:

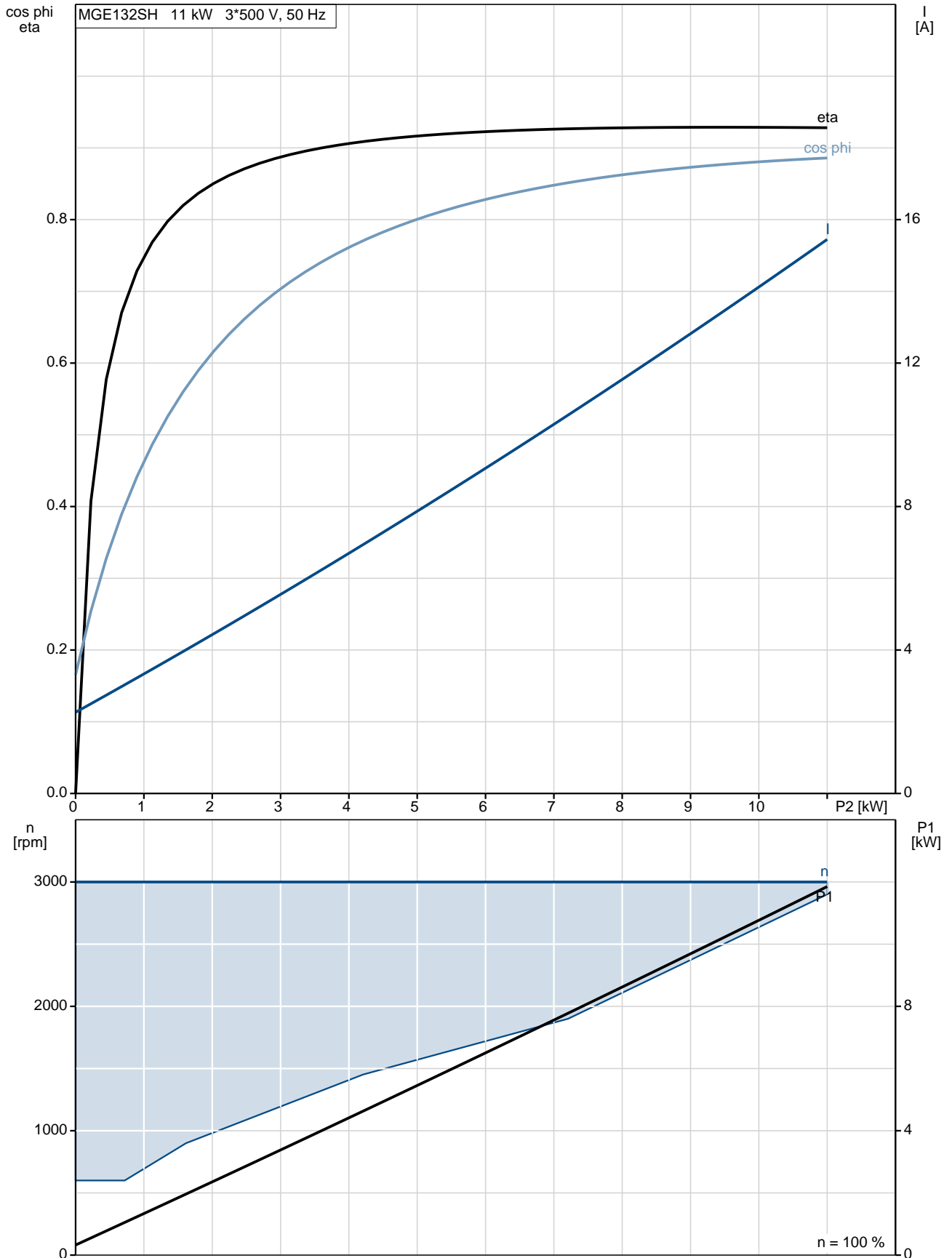
Control panel: HMI300 - Standard
 Com. module: NONE
 Function Module: FM300 - Standard

Others:

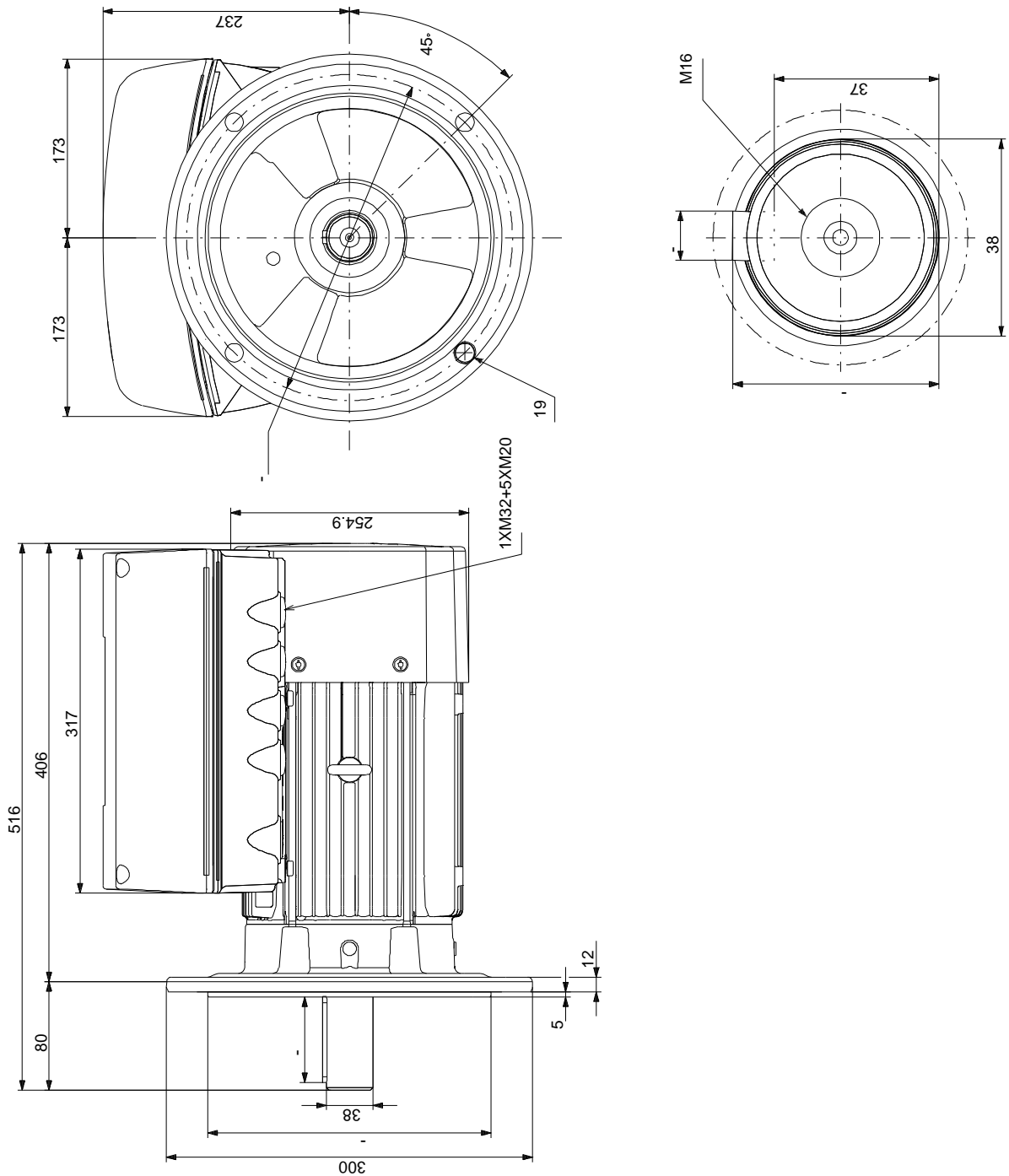
Net weight: 65 kg
 Config. file no: 99189999
 Colour/Type: NCS 9000 gloss 40+-10 /E-coat



99189999 MGE132SH 50 Hz

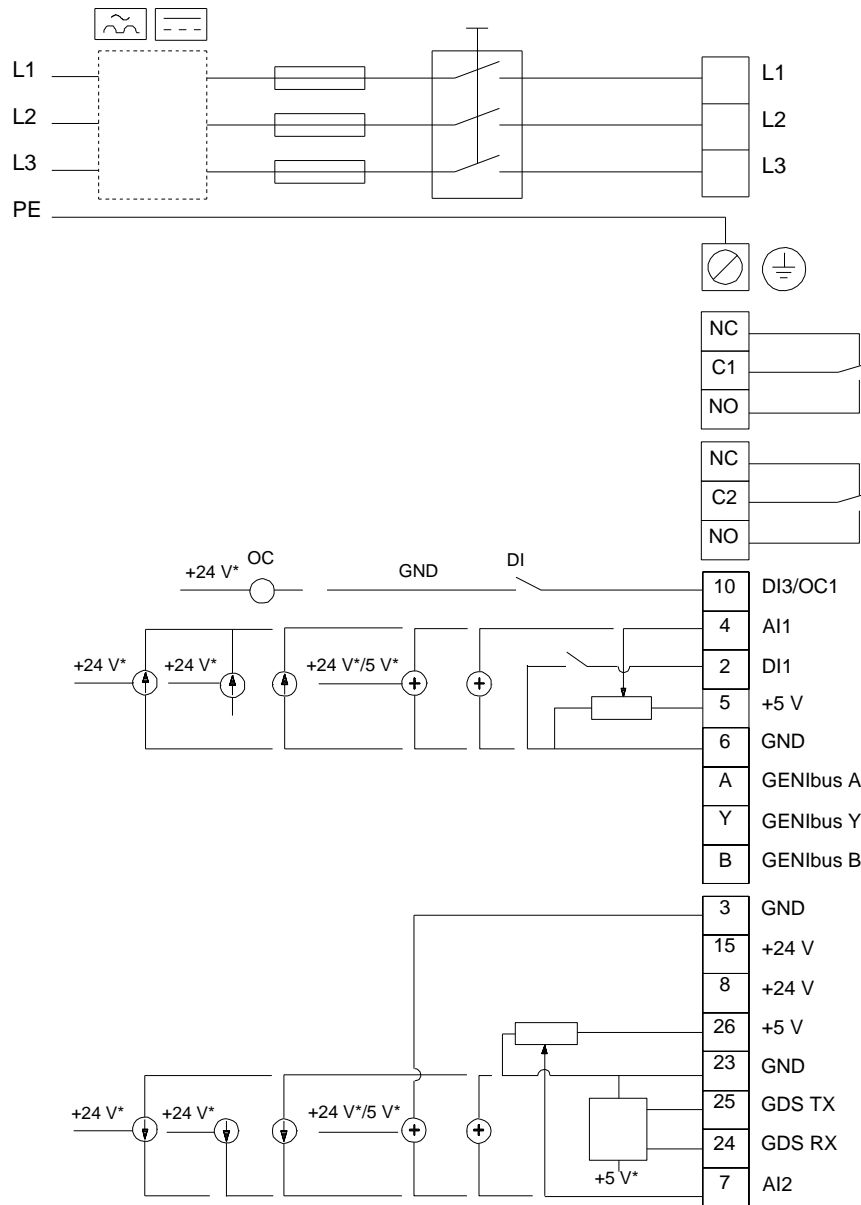


99189999 MGE132SH 50 Hz



Note! All units are in [mm] unless others are stated.
Disclaimer: This simplified dimensional drawing does not show all details.

99189999 MGE132SH 50 Hz



Note! All units are in [mm] unless others are stated.



Ordering data

99189999 MGE132SH 50 Hz

Product No.: 99189999

Company name: Date: 3/6/2017
Created by: Phone: Fax:

Project: Client Number:
Contact: Reference Number:

Electrical data:

Frequency	50 Hz
Rated motor voltage	380-500 V
Rated motor power	11 kW
Rated motor speed	360-4000 rpm
Rated motor torque	36.2 Nm
Wiring connection	-
Rated motor current	20,3-16,0 A
Max motor current	-
Efficiency class	IE5
Full load Efficiency %	93.1 %
Power factor	0,93-0,90
Starting- / Rated motor current (50/60 Hz)	/
Breakdown- / Rated motor torque (50/60 Hz)	/ %
Starting- / Rated motor torque (50/60 Hz)	/

Mechanical data:

Noise measurements (50/60 Hz)	-
Moment of inertia	0.0178 kg m ²
Drain holes	Yes (closed)
Bearing DE	6308.Z.C3
Bearing NDE	6306.Z.C3
Bearing arrangement	DE-locked
Type of bearing DE	-
Bearing seal DE	-
Characteristic of grease DE	-
Type of bearing NDE	-
Bearing seal NDE	-
Characteristic of grease NDE	-
Regreasing device	No
Type of lubrication	UNIREX N3
Relubrication interval	2660
Quantity of grease for relubrication	12 g
External earthing	-
Colour/type	NCS 9000 gloss 40+-10 /E-coat

Explosion protection:

Type of protection -

Ambient conditions:

Ambient temperature -20°C to 50°C
Altitude above sea level 1000 m
Approvals and specifications IEC 60034, CE, RCM, cURus, EAC, IES2, IE5

General data:

Frame size 160MH
Type of construction IM V1/B5
Flange size FF300
Weight, without optional accessories 65 kg
Frame material -
Degree of protection IP IP55
Method of cooling, TEFC IC 411
Vibration class
Insulation class 155(F) to 130(B)
Duty type -
Direction of rotation CW / BI-DIRECTIONAL

Terminal box:

Material of terminal box -
Cable entry 5 x M20+1 x M32 blind plug
Cable gland -

Protection:

Built-in protection -



Company name:

Created by:

Phone:

Date: 06/03/2017

Order Data:

Product name: MGE160MH

Amount: 1

Product No: 98971304

Price: On request

Total: Price on request
